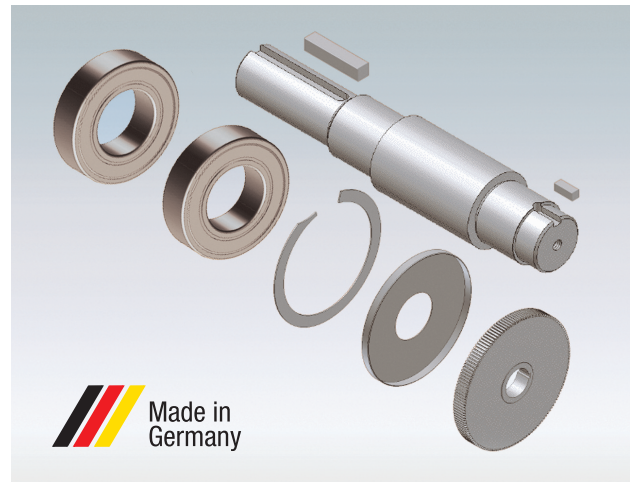


Gearbox Kits suitable for Sunflo Pump Type P-2000



Complete gearbox kits from **sammler cs** suitable for Sunflo Pump type P-2000 allow a quick and easy overhaul of failed gearboxes.

All single components meet the highest material and quality standards and are fully compatible with the original pump parts.

Gears are hardened and precision ground and meet the requirements of AGMA (American Gear Manufacturer) quality class 11.

Gearbox kits are available for pump speeds ranging from 10.360 rpm to 14.227 rpm*.

* further speeds on request

Overhauls can be carried out in our repair center or directly on site.

The following components which also can be ordered separately are included in the gearbox kit:

- Drive gear (P2-3)
- Drive gear key (P2-5)
- Low speed shaft assembly (P2-97) consisting of:
Low speed shaft (P2-96) and 2 x ball bearing (P2-95)
- Retaining ring (P2-114)
- Slinger (P2-116)
- Coupling hub key (P2-99)
- Screw (P2-62)
Lock washer (P2-63)
Flat washer (P2-64)

